


SPECIFICATIONS

MODEL INFORMATION		TV Image
		
		LY540S-SCA
LCD PANEL SPECIFICATION		
Inch		32H / 42 / 55
Category		Commercial Lite
Production Model		32 / 42 / 55LY540S-SA
Chassis Platform		L14 (Commercial)
Backlight Type		Slim Direct LED
Resolution		32": 1366 x 768 (HD), 42 / 55": 1920 x 1080 (FHD)
Brightness (cd/m ²)		32 / 42": 300, 55": 330
Dynamic Contrast Ratio (Dynamic MCI (Hz))		32": 1,000,000:1, 42 / 55": 2,000,000: 1
Static (Panel) Contrast Ratio		32 / 42 / 55": 1200:1
Viewing Angle Degree		178 x 178
Response Time (G to G)		32": 9ms, 42": 8ms, 55": 9ms
Frame Rate		60Hz
Life Span (hrs)		30,000
Broadcasting System		
Analog		• (PAL-M/N / NTSC-M)
Digital		•
Terrestrial		ISDB-T
Triple XD Engine		•
Dynamic Color Enhancer		•
Real Cinema 24p (3:3 Pull Down)		•
Aspect Ratio		• 7modes (16:9, Just Scan, Set by Program, 4:3, Zoom, Zoom2, Cinema Zoom1)
Audio Output		10W + 10W
Speaker System		2.0 ch
Sound Mode		• 6 modes (Standard, News, Music, Cinema, Sport, Game)
Optical Sound Sync		•
Sound Optimizer		• 3 modes (Normal, Wall-Mount Type, Stand Type)
Invisible Speaker		•
Clear Voice II		•
Pro:Centric		•
Remote Diagnosis		• (USB)
Smart Share		•
MHL		•
HTNG-CEC		• (ARC Not Supported)
HTNG-CEC 1.3		•
Hotel Mode / PDM / Installer Menu		•
Lock Mode		•
IR Out		• (RS-232C)
RJP Interface		• (RS232C, HDMI CEC)
RJP Compatibility		• LG / Teleadapt (RS-232C), Teleadapt / Guestlink (HDMI CEC)
USB		• (USB 2.0)
USB Auto Play Back		•
Moving Picture Playback (SD / HD / Plus HD)		Dvix HD
Picture		JPEG
Audio Codec		AC3 (Dolby Digital), EAC3, AAC, Mpeg, MP3, PCM
USB Cloning		•
Multi IR Code		•
Welcome Screen (Splash Image)		•
Auto Off / Auto Sleep		•
Smart Energy Saving (Auto Power Off)		•
Anti-Theft System		•
Kensington Lock		• (B/C)
Interface		
Set Side		
HDMI In		1
USB (2.0)		2
Set Rear		
RF In		1
AV In		1 (Share with Component)
Component in (Y, Pb, Pr) + Audio		1 (SEA)
Digital Audio Out (Coaxial / Optical)		1 (Optical)
HDMI / HDCP Input		1
RGB In (D-Sub 15pin) - PC		1
PC Audio Input		1 (Share with Component Audio)
RS-232C (D-Sub 9pin)		1 (Control & Service)
RJ45 (RJP Interface)		1
Accessory		
Remote Type		L-CON
Cable		Power Cable (1.55M)
Manual / ESG		Simple Manual
Power		
Voltage, Hz		110 - 240V, 50 / 60Hz
Max (Watts)		32": 80W, 42": 110W, 55": 136W
Typical (Watts)		32": 52W, 42": 81W, 55": 113W
Energy Saving (Min)		32": 16.7W, 42": 25.9W, 55": 36.3W
Energy Saving (Med)		32": 28.6W, 42": 44.6W, 55": 62.2W
Energy Saving (Max)		32": 42.9W, 42": 66.4W, 55": 93.2W
Stand-by		0.5W ↓
Tool Description		
Tool Name		LB56 (w / Red LG Logo)
Bezel Width (Left / Right, Upper, Bottom)		32": 12, 11.6, 17.1, 42 / 55": 11, 11, 16.5
: On bezel based		
Bezel Width (Left / Right, Upper, Bottom)		32": 10.5, 10, 14, 42 / 55": 8.5, 8.5, 14
: Off Bezel Based		
Swivel (Angle)		2 Pole Stand (Only)
VESA Compatible		• (Varied by inch) 32 / 39": 200 x 200, 42 / 55": 400 x 400
Required Listing (Certification)		
Safety		CB
ETC.		RoHS
Weight (With Stand, Kg)		32": 6.2, 42": 9.5, 55": 17.7
Weight (Packing)		32": 7.4, 42": 11.6, 55": 22.1
W x H x D (W/O Stand, mm)		32": 732 x 437 x 55.5, 42": 961 x 567 x 55.5m, 55": 1,243 x 725 x 56.8
W x H x D (With Stand, mm)		32": 732 x 481 x 207, 42": 961 x 612 x 218, 55": 1,243 x 772 x 247
W x H x D (Packing, mm)		32": 816 x 510 x 152, 42": 1060 x 660 x 152, 55": 1330 x 810 x 174

TV tuner built-in Digital Signage 32" / 42" / 55" SUPERSIGN TV

32LY540S-SCA | 32" CLASS (801.31mm) diagonal
55LY540S-SCA | 55" CLASS (1,387.80mm) diagonal

42LY540S-SCA | 42" CLASS (1,064.77mm) diagonal



SuperSign TV is an Affordable and Easy Solution

Brightness
32/42": 300nit
55": 330nit

Built-in Speaker

Free Software

- Content Management S/W including 32 pre- installed templates for multiple verticals
- Remotely deliver content and control up to 50 TVs over the network

Built-in TV Tuner

Thin Cabinet*
(T/L/R) Flat bezel 8.5mm (13mm after curvature)
(B) Flat bezel 14mm (18.7mm after curvature)

Multiple ports for multiple connections

-RGB in, HDMI in, RF, AV in, Component in, Audio out, RS232C in, RJ45, Speaker out

*Bezel width and depth vary by screen size

TV TUNER BUILT-IN DIGITAL SIGNAGE

LY540S 32" /42" /55"



DELIVER YOUR MESSAGES WHILE BROADCASTING LIVE CHANNELS SIMULTANEOUSLY.



AN AFFORDABLE ALL-IN-ONE DISPLAY SOLUTION

No need to purchase any additional hardware or software.



SIMPLE CONNECTIVITY

Needs only a power, LAN connection and a USB to operate.

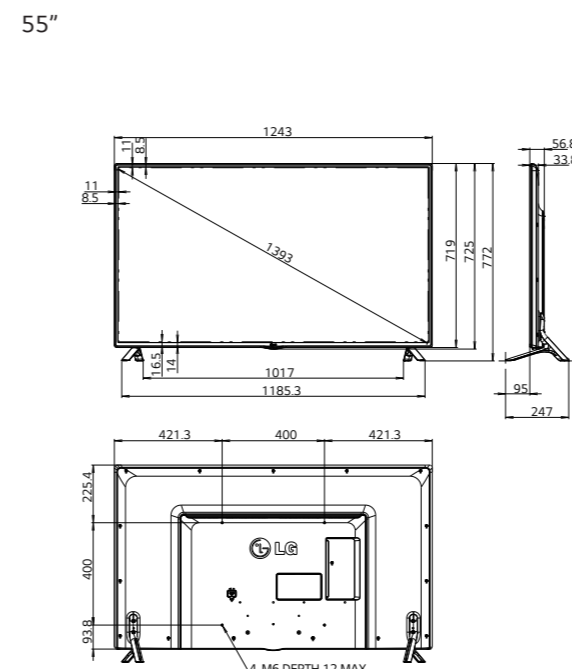
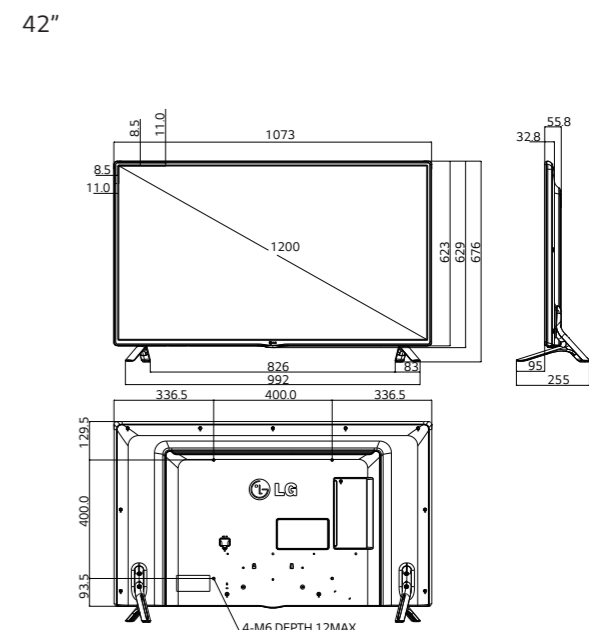
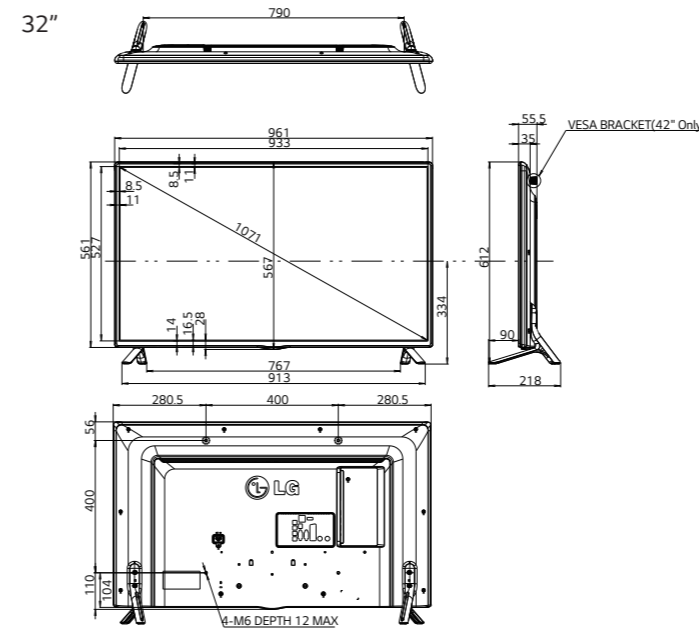


FREE SUPERSIGN LITE

- 32 pre-installed templates for multiple verticals
- Schedule your messages to show on which TVs, and when they show
- Remotely control maximum 50 TVs over the network

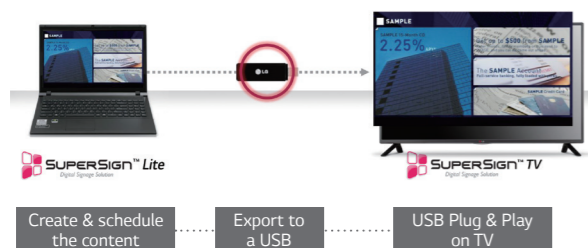


DIMENSION (unit : mm)

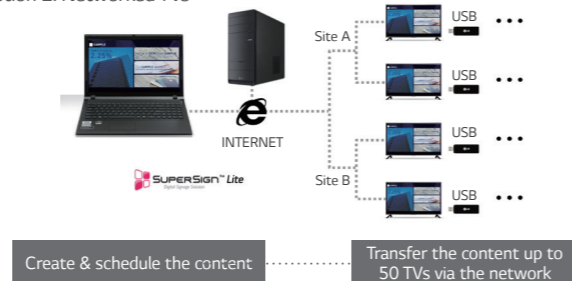


HOW TO USE SUPERSIGN TV

Option 1. as a stand-alone use



Option 2. Networked TVs



INTERFACE

